

Features

- Sturdy, Lightweight, Non-Reflective Construction from Wood and Nylon Materials
- Easy to Operate
 - Quick Height Adjustments
 - Single-Motion Collapsibility for Storage/Transport
- Optional Carrying Case Available
- Three-Year Warranty

Description

The AT-812 Antenna Tripod is constructed from high quality wood and nylon materials, and is easily collapsible for storage or transport. It is highly non-reflective, lightweight, sturdy and stable. It is suitable for use indoors and outdoors.

The nylon center rod allows for stepless, smooth height adjustment, with a knob-operated locking mechanism to easily fix its position. The tripod and its accessories are equipped with standard 1/4" x 20 threads mounting bolts.

With Option ATC-812, the AT-812 Tripod is provided with a tubular, wheeled carrying case which is compartmentalized to house all of the tripod accessories.

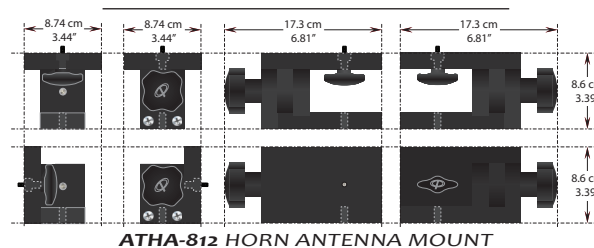
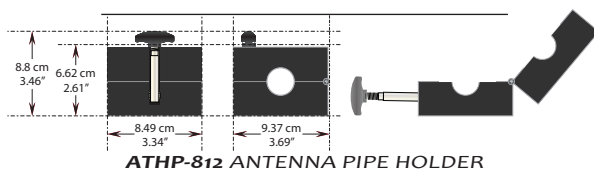
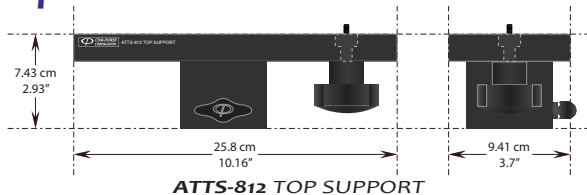


Specifications

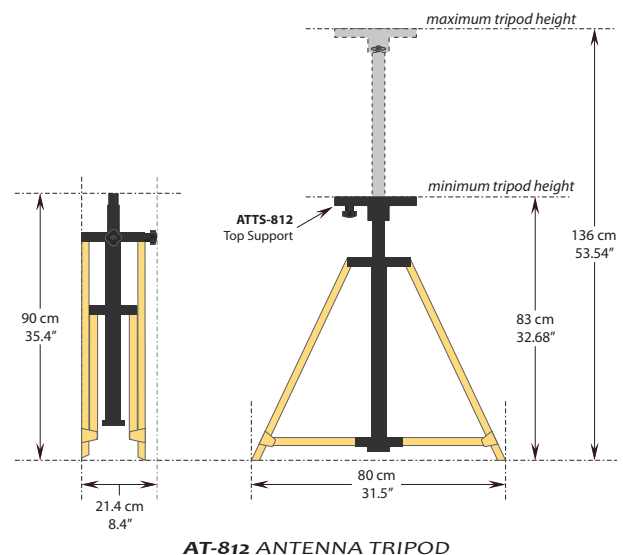
All specifications are subject to change without notice.
All values are typical, unless specified.

GENERAL	
Tripod Height Range	83 cm to 136 cm (32.7" to 53.5") <small>[see table for mounted antenna heights]</small>
Material	Wood and Nylon
Maximum Load	22 lbs. (10 kg)
Tripod Weight	12.5 lbs. (5.7 kg)
Standard Accessories	ATTS-812 Top Support ATHA-812 Horn Antenna Mount ATHP-812 Antenna Pipe Holder
Option ATC-812	AT-812 Tripod with Carrying Case

Tripod Accessories Dimensions



Tripod Dimensions



Accessories and Height Ranges for Mounted Antennas

MOUNTING ACCESSORY	COMPATIBLE COM-POWER ANTENNAS		MINIMUM HEIGHT	MAXIMUM HEIGHT
ATHP-812 Antenna Pipe Holder 	AB-900A, ABF-900A and AD-100 Biconical and Dipole Antennas	Vertical & Horizontal Polarizations:	86.3 cm	139.3 cm
ABM-6000 Antenna Holder* 	ABM-6000 Microwave Dipole Antenna	Vertical & Horizontal Polarizations:	85.4 cm	138.4 cm
mount directly onto ATTS-812 Top Support 	AL-100 and ALC-100 Log Periodic Antennas	Vertical Polarization:	87.8 cm	140.8 cm
		Horizontal Polarization:	93.6 cm	146.6 cm
	ALP-100 Power Log Periodic Antenna	Vertical Polarization:	85.7 cm	138.7 cm
		Horizontal Polarization:	93.8 cm	146.8 cm
	AC-220 CombiLog (Hybrid) Antenna	Vertical Polarization:	84.7 cm	137.7 cm
		Horizontal Polarization:	90.4 cm	143.4 cm
	AH-8055 High Gain Horn Antenna	Vertical Polarization:	91.9 cm	144.9 cm
		Horizontal Polarization:	96.5 cm	149.5 cm
	AL-130R Active Loop Antenna (AT-220 is the recommended Tripod for this antenna due to its lower height range)	Center of Loop:	108.9 cm	161.9 cm
		Bottom of Loop:	83 cm	136 cm
AM-741R Active Monopole Antenna (AT-220 is the recommended Tripod for this antenna due to its lower height range)	Antenna Mid-point:	140.4 cm	193.4 cm	
	Top of Counterpoise:	88.4 cm	141.4 cm	
ATHA-812 Horn Antenna Mount 	AH-118, AHA-118, AH-826, AH-640, AH-840 and AHA-840 Horn Antennas	Vertical & Horizontal Polarizations:	87.5 cm	140.5 cm

* The ABM-6000 Antenna Holder is provided with the ABM-6000 Microwave Biconical Antenna.